

MODEL

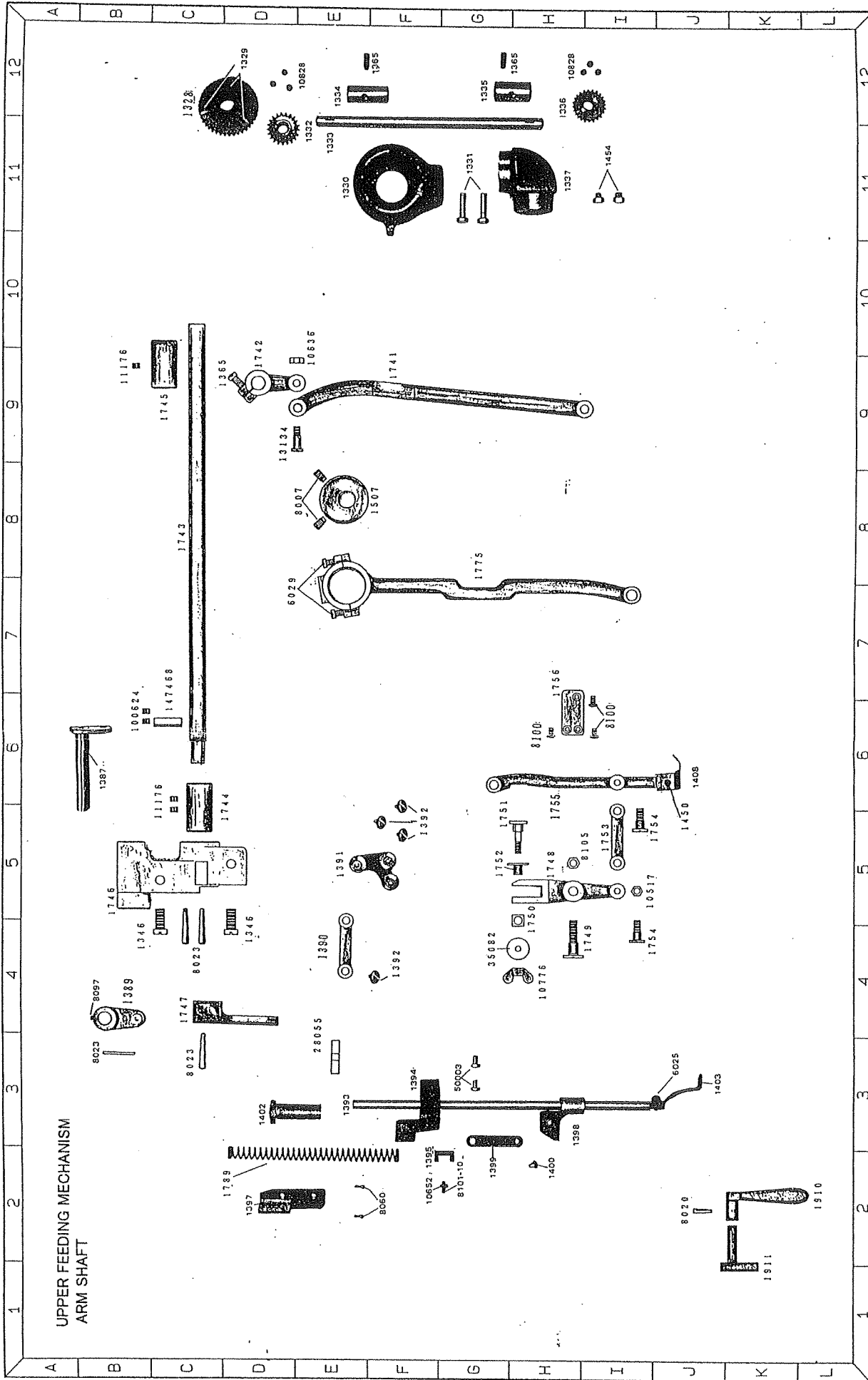
SK-2R

SK-6FR

PARTS BOOK

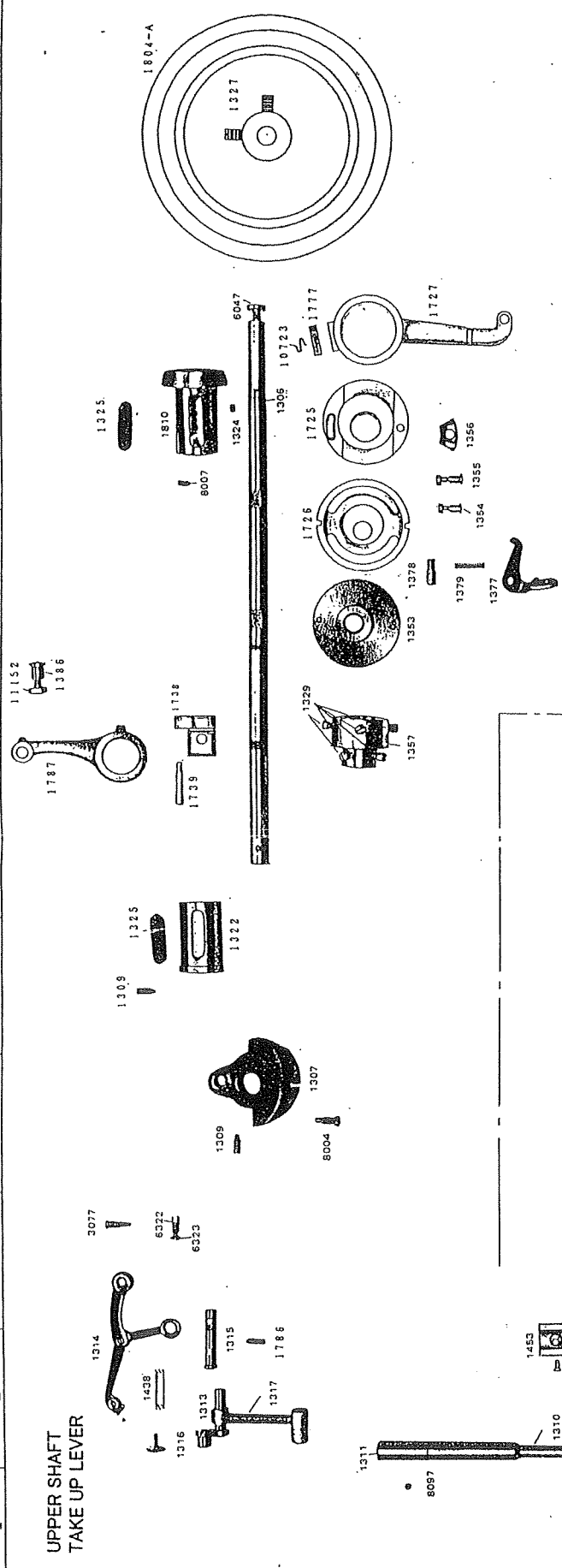
PARTS LIST

SK-2R

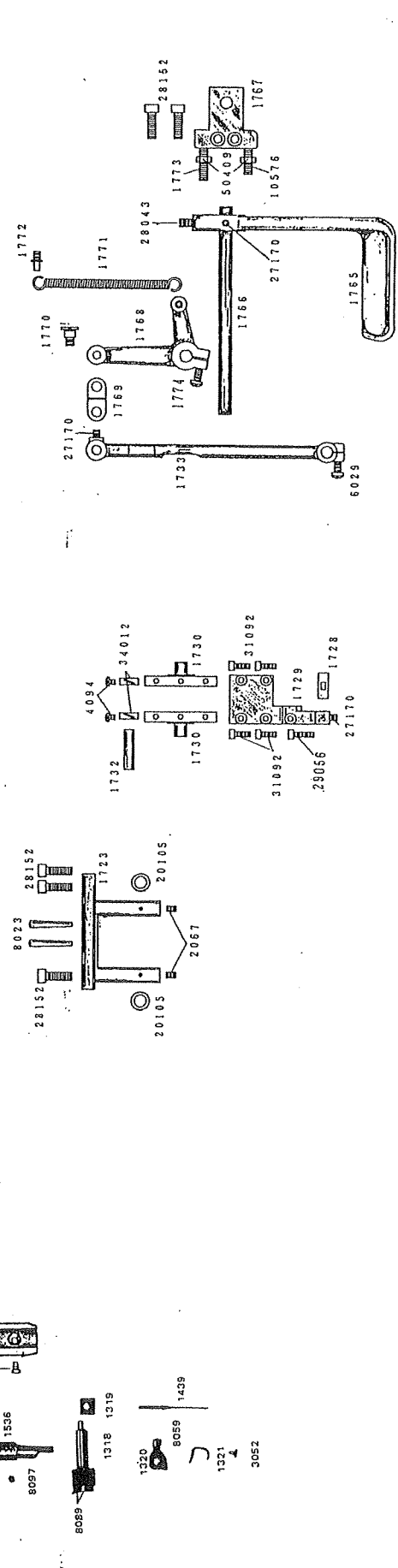


UPPER FEEDING MECHANISM
ARM SHAFT

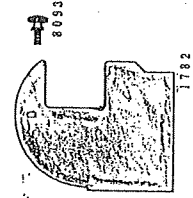
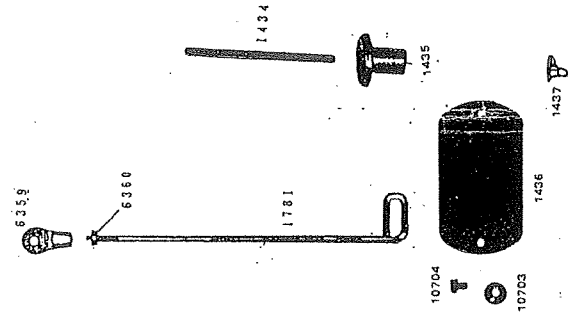
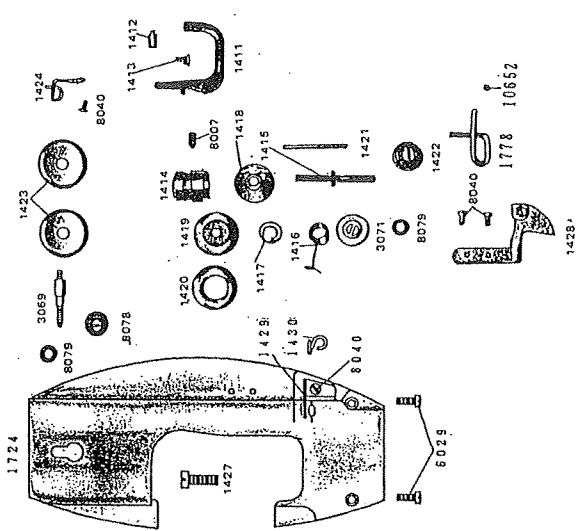
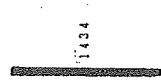
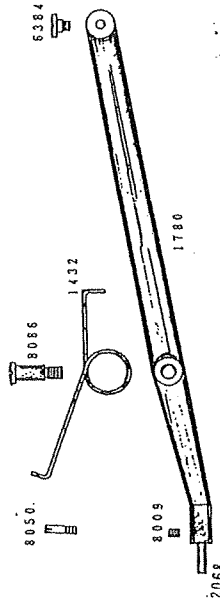
UPPER SHAFT
TAKE UP LEVER



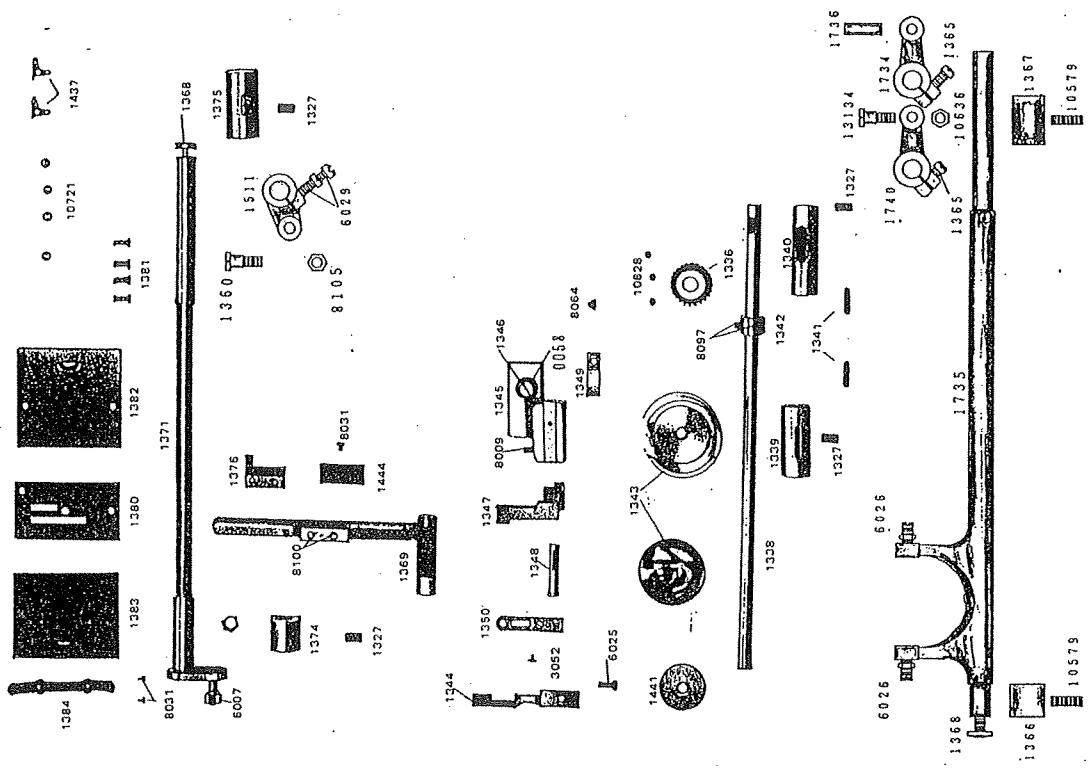
REVERSE STITCH MECHANISM



FACE PLATE, THREAD GUIDE
KNEE LIFTER LIFTING LEVER, COVER

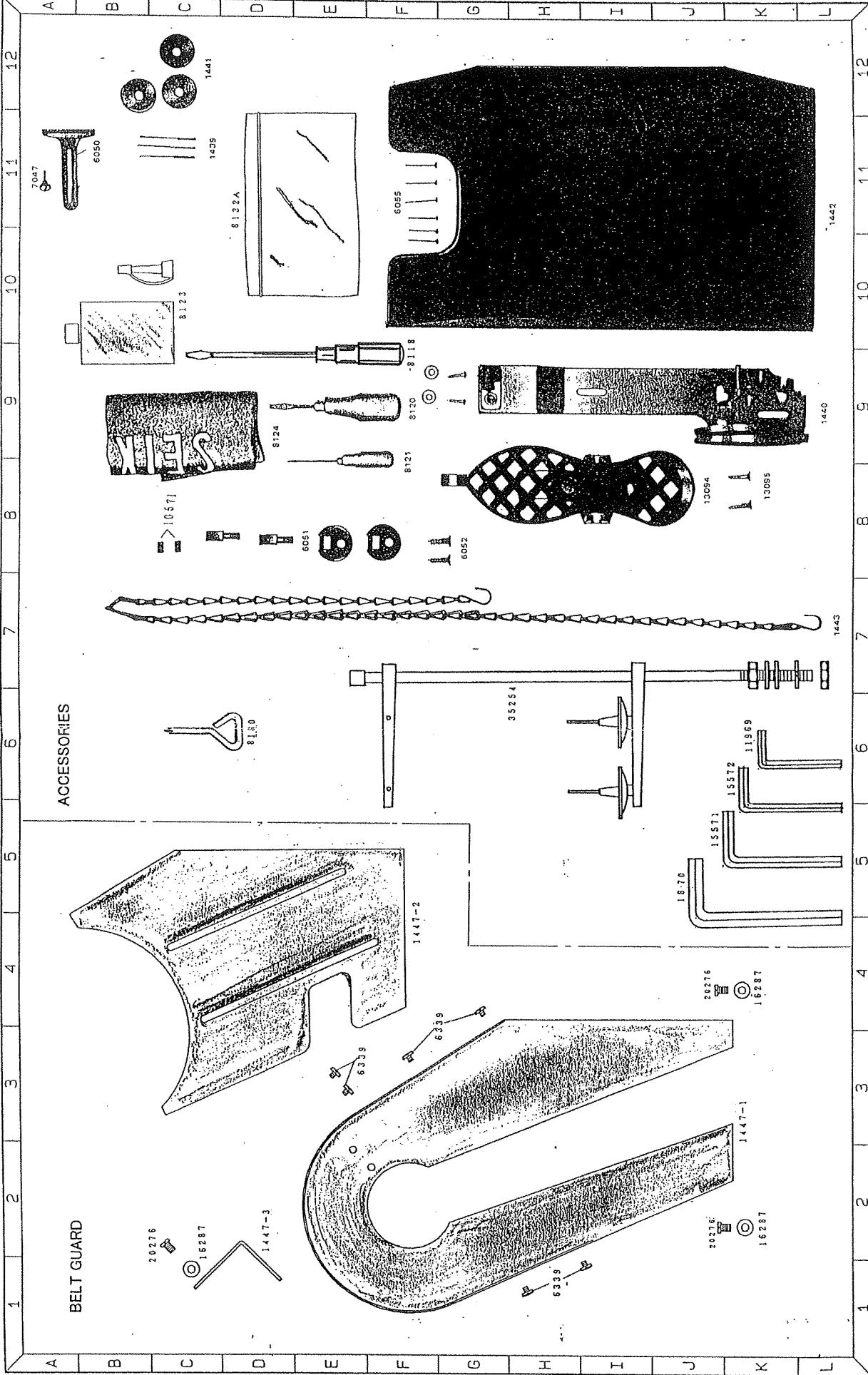


NEEDLE PLATE, FEED FOG, LOWER SHAFT, LOWER FEEDING MECHANISM



PARTS LIST

SK-2R



Consolidated Sewing Machine Corp.

Consolidated Sewing Machine Corp.
Website: www.consew.com

MAIN office

131 W. 25th Street
New York, NY 10001
Tel: 212-741-7788
Fax: 212-741-7787
e-mail: consew@att.net

Miami, FL

4013 N.W. 79th Avenue
Miami, FL 33166
Tel: 305-471-0200
Fax: 305-471-0243
e-mail: miamisales@consew.com

Los Angeles, CA

2320 South Hill Street
Los Angeles, CA 90007
Tel: 213-745-8844
Fax: 213-745-8855
e-mail: lasales@consew.com